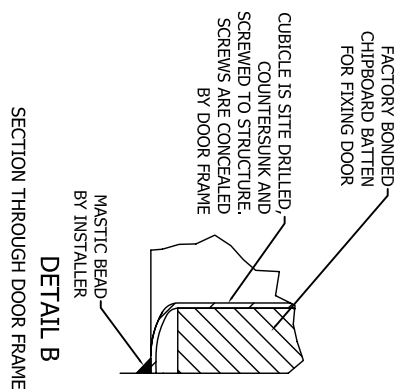
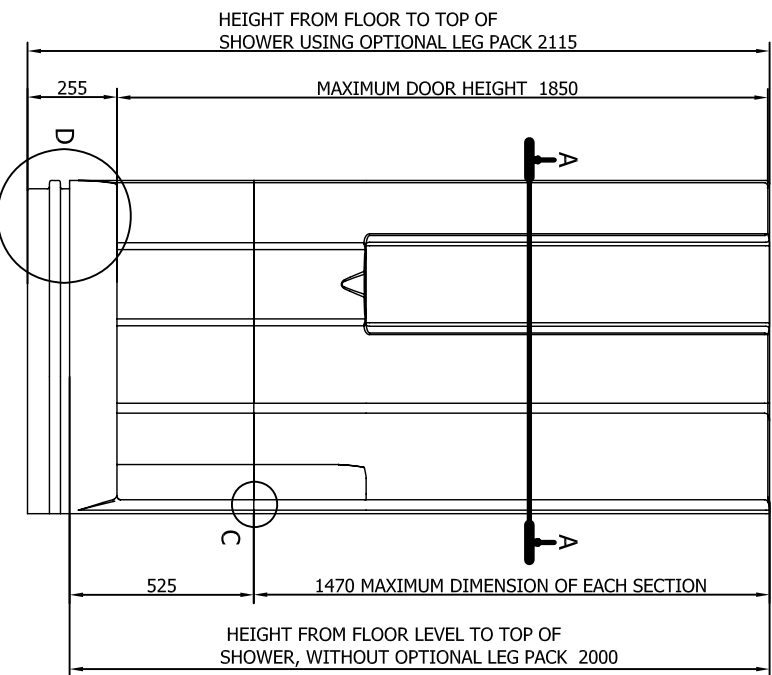
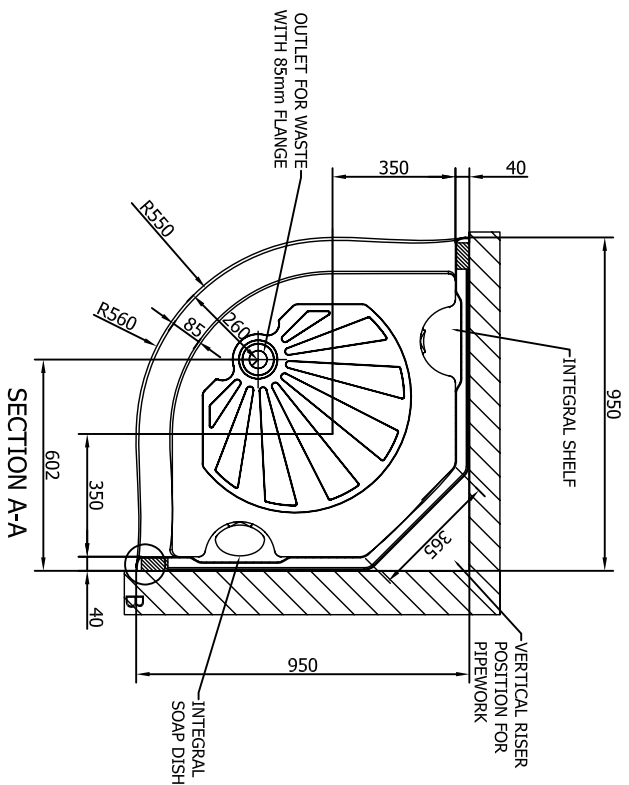


SECTION THROUGH JOINT
DETAIL C



SECTION THROUGH DOOR FRAME
DETAIL B



INTERNAL DIMENSIONS
Height: 1935mm (6'4")

OVERALL EXTERNAL DIMENSIONS
Width 950mm (3'1½")
Depth 950mm (3'1½")
Height + with legs 2115mm (7'0")
without legs 2000mm (6'7")
Approximate Weight 48kg

*An additional 30mm is required for assembly

All dimensions shown are approximate and may vary slightly due to the manufacturing process

Allow normal building tolerances
Site conditions may vary. This drawing shows typical fixing details.

Advanced Showers has a programme of continuous development and research and reserves the right to change specifications and details without notice

9000



UK patent No. 2281033
European Patent No. 0693345
This drawing is copyright to Advanced Showers International Ltd. And must not be copied or reproduced without prior permission.
ADVANCED SHOWERS INTERNATIONAL LTD.
20 OSBERT PARK
OLD FORTSMOUTH ROAD
GUILDFORD, SURREY, GU3 1LU
Email: sales@advanced-showers.com
Web Site: www.advanced-showers.com
Telephone: 01483 532020
Facsimile: 01483 532080

MOULDED TWO PART QUADRANT
CUBICLE WITH OPEN TOP SUITABLE
FOR A CURTAIN RAIL OR CURVED
DOOR AND SIDE SCREENS
TECHNICAL DRAWING

SCALE
NOT TO SCALE