




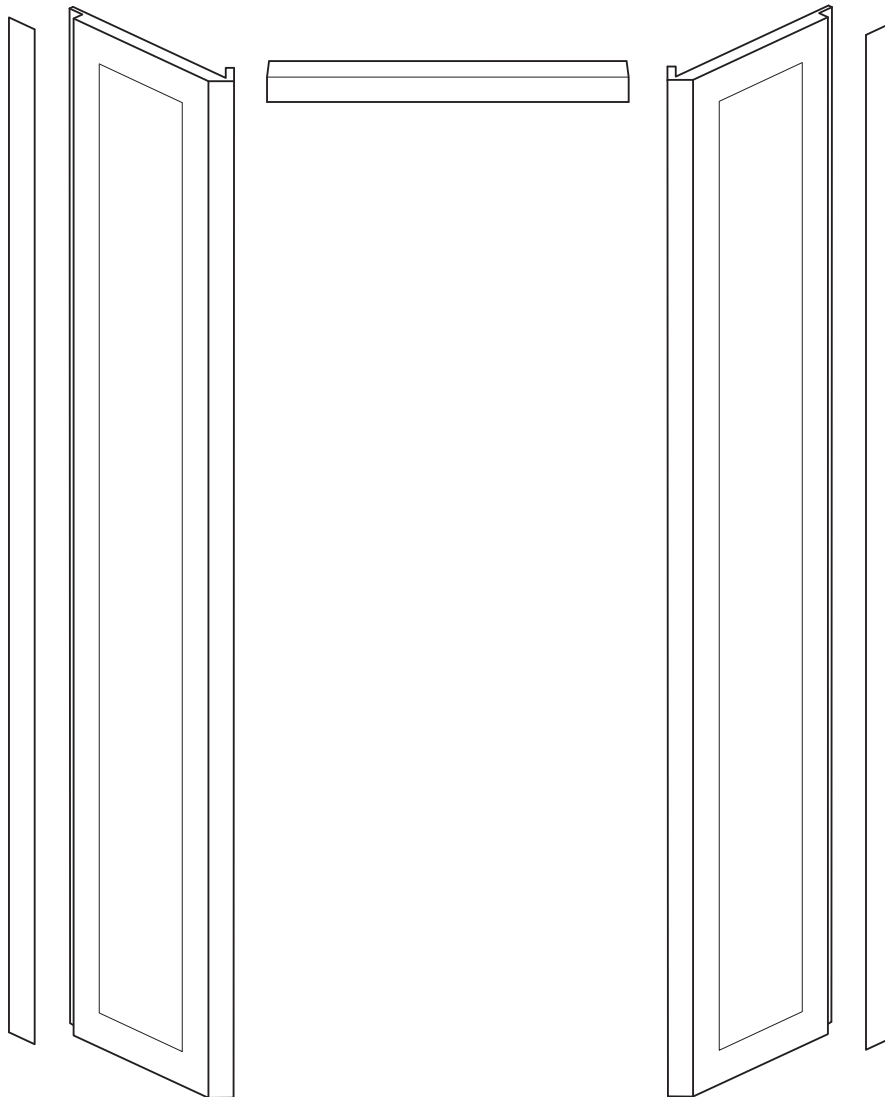


ADVANCED SHOWERS INTERNATIONAL LIMITED

32 Frederick Sanger Road, Guildford, Surrey, GU2 7YD. Tel: 01483 295930 Fax: 01483 295935 Email: sales@advanced-

## Optional side panel pack

Components		
 20mm Screws	 `Velcro` loop pads	 Rolls of double-sided tape
10	12	2



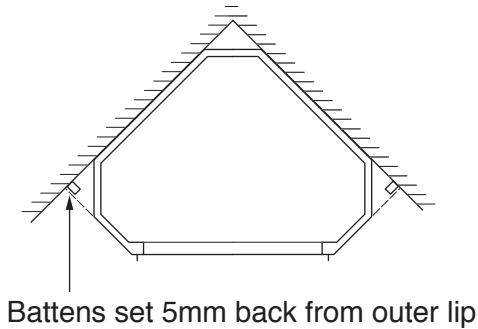
### IMPORTANT

Only for use with the 900SC and 900SD shower cabinets (900SC model shown).  
Ensure all surfaces to be stuck (self-adhesive `Velcro` pads, double sided tape or silicone mastic) are thoroughly cleaned first.

1.

Fix vertical wall battens (not provided), approximately 5mm back from the outer lip of the shower cabinet.

a

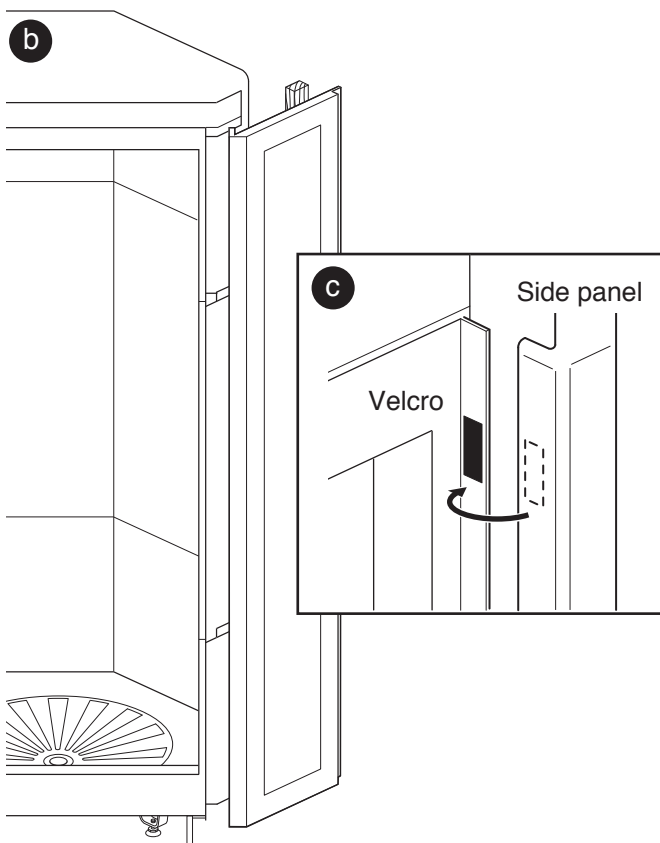


2.

Fix the side panels. The outer edge of each side panel has four fitted 'Velcro' hook pads. Hook the outer edge of the side panel around the outer lip of the shower cabinet and mark the positions of the 'Velcro' hook pads onto the cabinet (b). Apply the self-adhesive 'Velcro' loop pads to the outer lip of the cabinet where marked (c).

Ensure the bottom edge of the side panel lines up with the bottom edge of the shower cabinet. Hook the side panel around the outer lip of the cabinet and apply pressure to bond the pairs of 'Velcro' strips together.

b

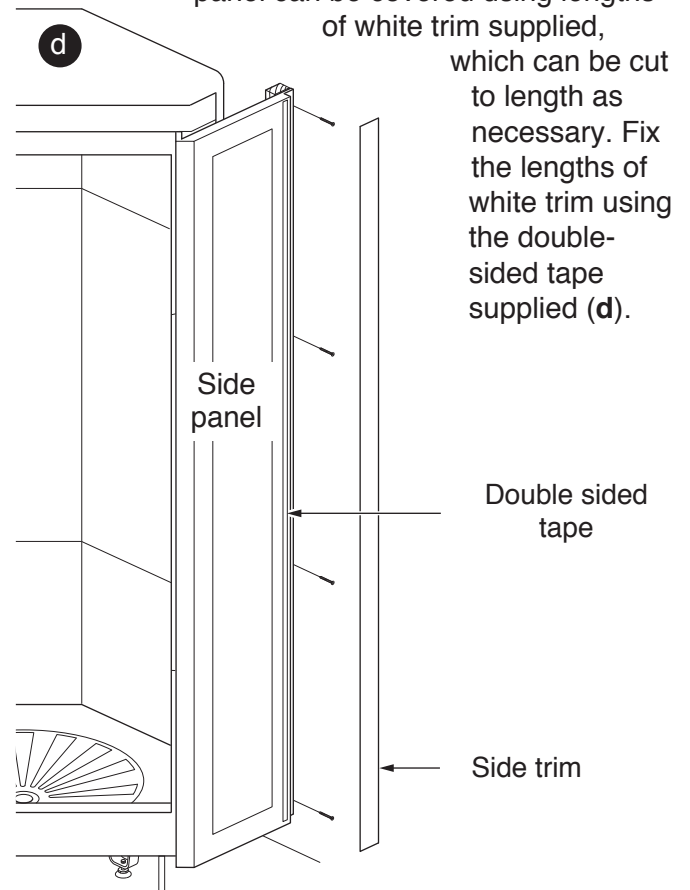


3.

Fix the rear edge of the side panel to the wall batten using 20mm screws, four per side. Ensure the heads of the screws are countersunk and are flush with the side panel surface (d). Repeat for other side panel.

The vertical 'flash gap' at the back of the side panel can be covered using lengths of white trim supplied, which can be cut to length as necessary. Fix the lengths of white trim using the double-sided tape supplied (d).

d



4.

Fix the top horizontal top cover trim using the 'Velcro' pads where shown (e).

e

